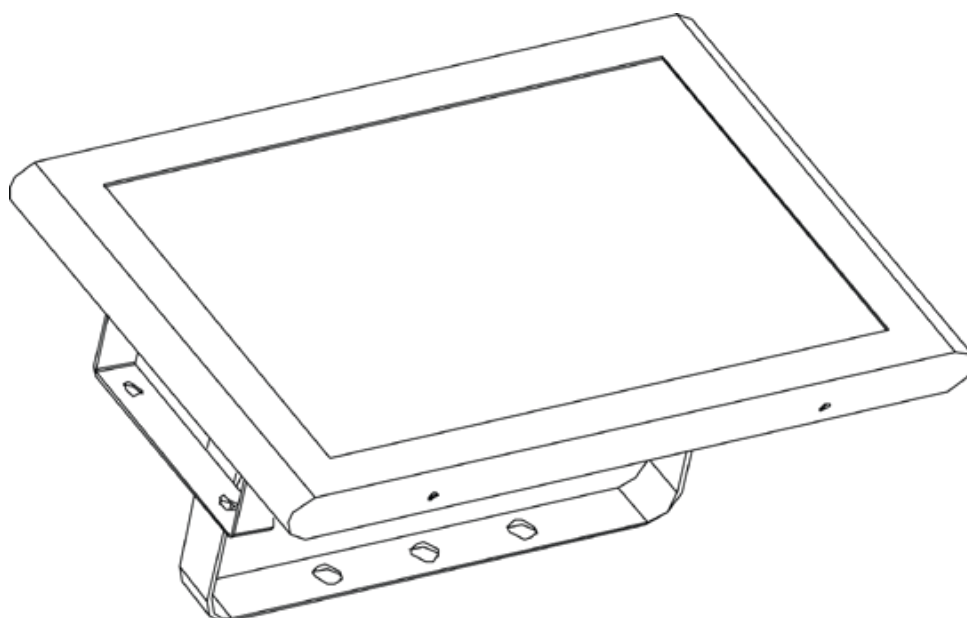


# **LED Shadow™**

## **User Manual**



---

# TABLE OF CONTENTS

<b>1. Before You Begin</b> .....	<b>3</b>
What Is Included .....	3
Unpacking Instructions .....	3
Claims.....	3
Text Conventions .....	3
Symbols .....	3
Disclaimer .....	3
Product at a Glance .....	4
Safety Notes.....	4
<b>2. Introduction</b> .....	<b>5</b>
Product Overview.....	5
Product Dimensions .....	6
<b>3. Setup</b> .....	<b>7</b>
AC Power .....	7
Fuse Replacement .....	7
Power Linking .....	7
Mounting .....	8
Orientation .....	8
Rigging .....	8
<b>4. Operation</b> .....	<b>9</b>
Control Panel Operation.....	9
Menu Map .....	9
DMX Linking.....	10
Configuration (DMX).....	10
DMX Starting Address .....	10
DMX Channel Assignments and Values.....	10
3-CH .....	10
Configuration (Standalone).....	11
Auto Programs.....	11
Sound-Active .....	11
Manual Mode.....	11
Display Timeout.....	11
Test Mode.....	11
Reset .....	11
IRC-6 Infrared Remote Control .....	12
IRC-6 Operation.....	12
Master/Slave Mode .....	12
<b>5. Maintenance</b> .....	<b>13</b>
Product Maintenance .....	13
<b>6. Technical Specifications</b> .....	<b>14</b>
<b>Returns</b> .....	<b>15</b>
<b>Contact Us</b> .....	<b>16</b>

# 1. BEFORE YOU BEGIN

## What Is Included

- LED Shadow™
- Power Cord
- Warranty Card
- Quick Reference Guide

## Unpacking Instructions

Carefully unpack the product immediately and check the container to make sure all the parts are in the package and are in good condition.

## Claims





If the box or the contents (the product and included accessories) appear damaged from shipping, or show signs of mishandling, notify the carrier immediately, not Chauvet. Failure to report damage to the carrier immediately may invalidate your claim. In addition, keep the box and contents for inspection.

For other issues, such as missing components or parts, damage not related to shipping, or concealed damage, file a claim with Chauvet within 7 days of delivery.

## Text Conventions

Convention	Meaning
1—512	A range of values
50/60	A set of values of which only one can be chosen
Settings	A menu option not to be modified
Menu > Settings	A sequence of menu options to be followed
<ENTER>	A key to be pressed on the product's control panel
ON	A value to be entered or selected

## Symbols

Symbol	Meaning
	Electrical warning. Not following these instructions may cause electrical damage to the product, accessories, or the user.
	Critical installation, configuration, or operation information. Not following these instructions may make the product not work, cause damage to the product, or cause harm to the operator.
	Important installation or configuration information. The product may not function correctly if this information is not used.
	Useful information.

## Disclaimer

The information and specifications contained in this document are subject to change without notice. Chauvet assumes no responsibility or liability for any errors or omissions that may appear in this manual. Chauvet reserves the right to update the existing document or to create a new document to correct any errors or omissions.

You can download the latest version of this document from [www.chauvetlighting.com](http://www.chauvetlighting.com).

© Copyright 2015 Chauvet. All rights reserved.

Electronically published by Chauvet in the United States of America.

Author	Date	Editor	Updated
R. Isenstadt	07/14/2015	M. Trouard	07/14/2015

## Product at a Glance

Use on Dimmer		Auto Programs	
Outdoor Use		Auto-ranging Power Supply	
Sound-Active		Replaceable Fuse	
DMX		User-Serviceable	
Master/Slave			

## Safety Notes

Please read the following Safety Notes carefully before working with the product. The Notes include important safety information about installation, usage, and maintenance.



- Always connect the product to a grounded circuit to avoid the risk of electrocution.
- Always disconnect the product from the power source before cleaning or replacing the fuse.
- Avoid direct eye exposure to the light source while the product is on.
- Make sure the power cord is not crimped or damaged.
- Never disconnect the product from power cord by pulling or tugging on the cord.
- If mounting the product overhead, always secure to a fastening device using a safety cable.
- Make sure there are no flammable materials close to the product when operating.
- Do not touch the product's housing when operating because it may be very hot.



- The product is not intended for permanent installation.
- Always make sure that the voltage of the outlet to which you are connecting the product is within the range stated on the decal or rear panel of the product.
- The product is for indoor use only! (IP20) To prevent risk of fire or shock, do not expose the product to rain or moisture.
- Always install the product in a location with adequate ventilation, at least 20 in (50 cm) from adjacent surfaces.
- Be sure that no ventilation slots on the product's housing are blocked.
- Never connect the product to a dimmer.
- Make sure to replace the fuse with another of the same type and rating.
- Never carry the product from the power cord or any moving part. Always use the hanging/mounting bracket.
- The maximum ambient temperature (Ta) is 104 °F (40 °C). Do not operate the product at higher temperatures.
- In the event of a serious operating problem, stop using the product immediately.
- Never try to repair the product. Repairs carried out by unskilled people can lead to damage or malfunction. Please contact the nearest authorized technical assistance center.
- To eliminate unnecessary wear and improve its lifespan, during periods of non-use completely disconnect the product from power via breaker or by unplugging it.

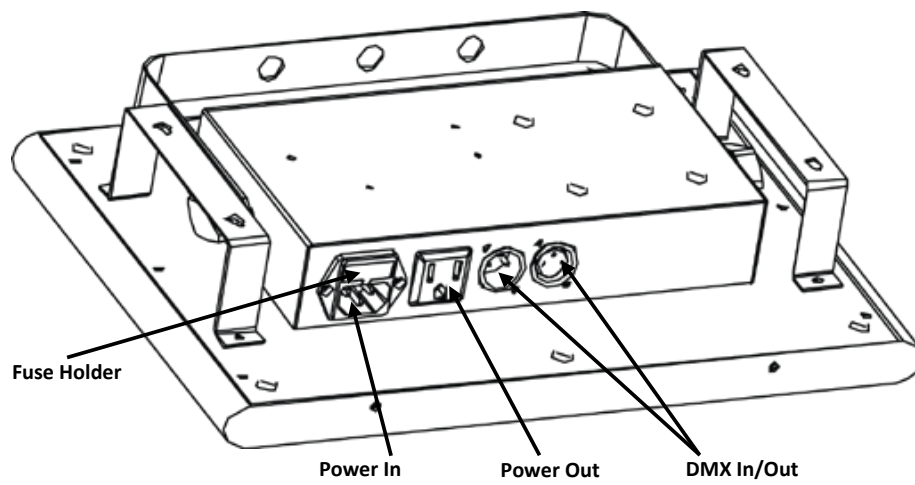
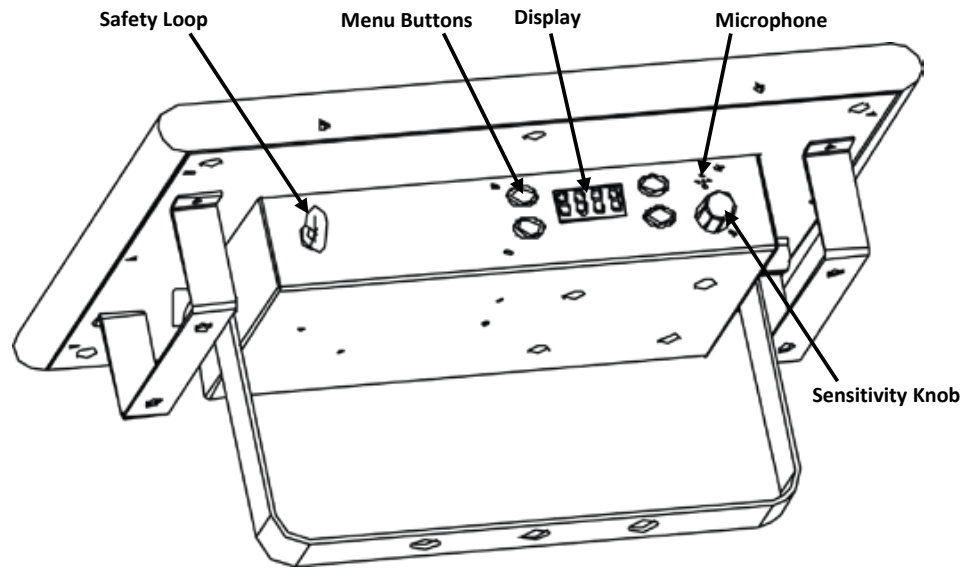


Keep this User Manual for future use. If you sell the product to someone else, be sure that they also receive this document.

---

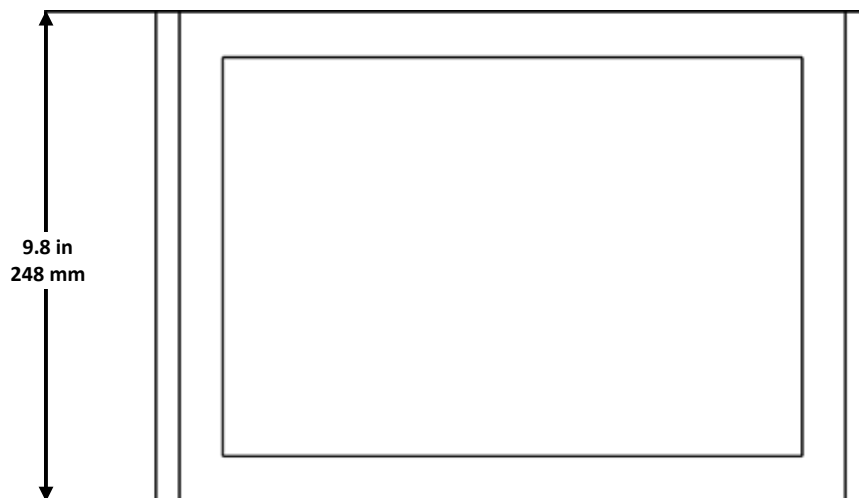
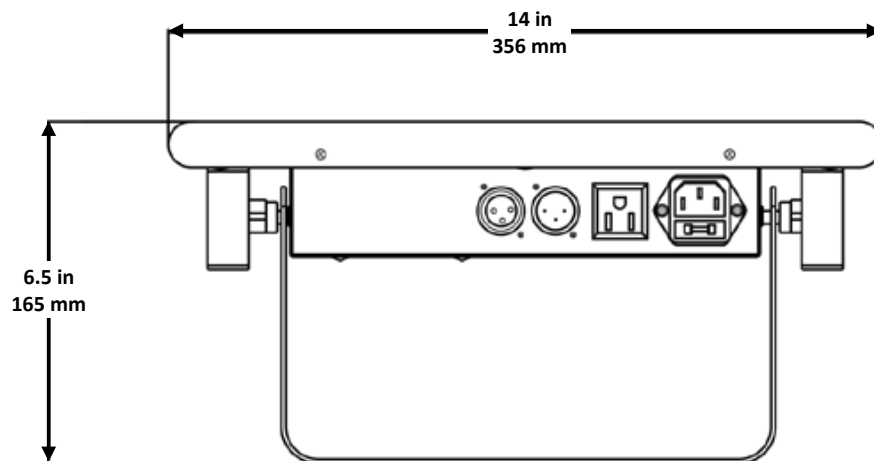
## 2. INTRODUCTION

### Product Overview



---

## Product Dimensions



### 3. SETUP

#### AC Power

The LED Shadow™ has an auto-ranging power supply and it can work with an input voltage range of 100 to 240 VAC, 50/60 Hz. To determine the product's power requirements (circuit breaker, power outlet, and wiring), use the current value listed on the label affixed to the product's back panel, or refer to the product's specifications chart. The listed current rating indicates the product's average current draw under normal conditions.

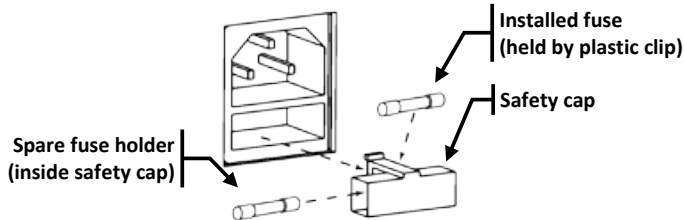
- **Always connect the product to a protected circuit (circuit breaker or fuse). Make sure the product has an appropriate electrical ground to avoid the risk of electrocution or fire.**
- **To eliminate unnecessary wear and improve its lifespan, during periods of non-use completely disconnect the product from power via breaker or by unplugging it.**



#### Fuse Replacement

**Never connect the product to a rheostat (variable resistor) or dimmer circuit, even if the rheostat or dimmer channel serves only as a 0 to 100% switch.**

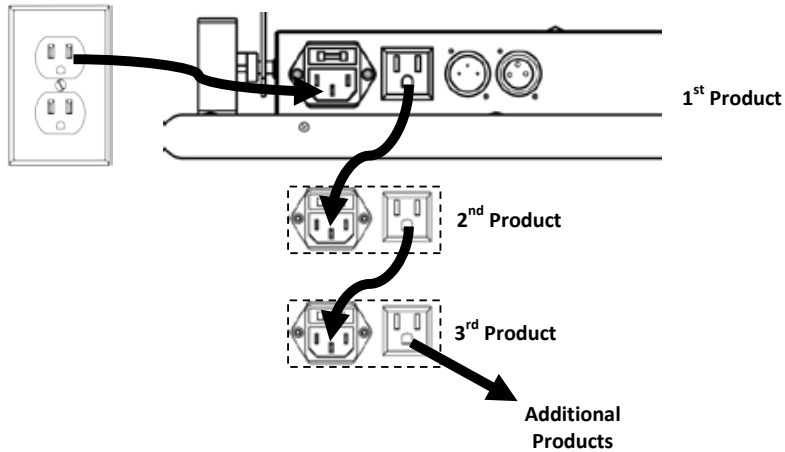
1. Wedge the tip of a flat-head screwdriver into the slot of the fuse holder.
2. Pry the fuse holder out of the housing.
3. Remove the blown fuse from the holder and replace with a fuse of the exact same type and rating.
4. Insert the fuse holder back in place and reconnect power.



#### Power Linking

**Disconnect the product from the power outlet before replacing the fuse.**

The product provides power linking via the Edison outlet located in the back of the product. Please see the diagram below for further explanation.



#### Power Linking Diagram



You can power link up to 43 LED Shadow™ products on 120 VAC or up to 74 LED Shadow™ products on 230 VAC.

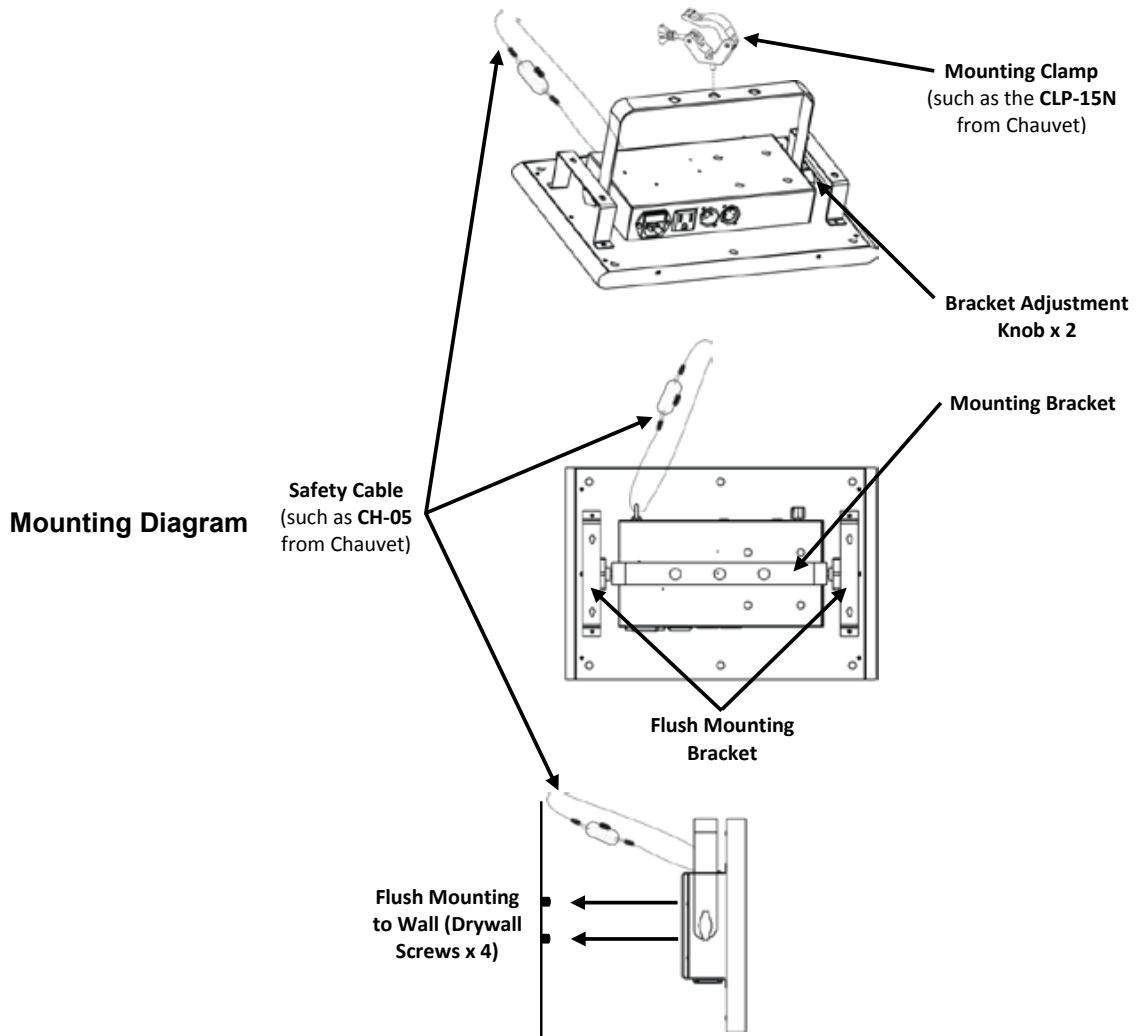


The power linking diagram corresponds to the North American version of the product **ONLY!** If using the product in other markets, you must consult with the local Chauvet distributor as power linking connectors and requirements may differ in your country or region.

**Mounting** Before mounting the product, read and follow the safety recommendations indicated in the [Safety Notes](#).

**Orientation** The LED Shadow™ may be mounted in any position; however, make sure adequate ventilation is provided around the product.

- Rigging**
- Before deciding on a location for the product, always make sure there is easy access to the product for maintenance and programming purposes.
  - Make sure that the structure onto which you are mounting the product can support the product's weight. See the [Technical Specifications](#) for weight information.
  - When mounting the product overhead, always use a safety cable. Mount the product securely to a rigging point, whether an elevated platform or a truss.
  - When rigging the product onto a truss, use a mounting clamp of appropriate weight capacity.
  - When power linking multiple products, mount the products close enough for power linking cables to reach.
  - The bracket adjustment knobs allow for directional adjustment when aiming the product to the desired angle. Only loosen or tighten the bracket knobs manually. Using tools could damage the knobs.





## 4. OPERATION

### Control Panel Operation

To access the control panel functions, use the four buttons located underneath the display. Please refer to the [Product Overview](#) to see the button locations on the control panel.

Button	Function
<MENU>	Press to find an operation mode or to back out of the current menu option
<ENTER>	Navigates upwards through the menu list and increases the numeric value when in a function
<UP>	Navigates downwards through the menu list and decreases the numeric value when in a function
<DOWN>	Enables the currently displayed menu or sets the currently selected value into the selected function

### Menu Map

Main Level	Programming Steps		Description
Aut (automatic)	Aut0	S. 01–99	Automated programs and speed
	Aut1		
	Aut2		
	Aut3		
	Aut4		
	Aut5		
Sou (sound-active)	Soud		Sound-Active mode
CoL	CoLo	L.000–255 (UV)	Dimmer
		S. 0–8	Strobe rate
Addr	d001–510		3-channel DMX mode
SLA	SLAV		Slave mode
SYS	LEdS	On	Display timeout on
		oFF	Display timeout off
	tEst		Performs a test of all LEDs
	rEST		Resets the software

**DMX Linking** The LED Shadow™ works with a DMX controller. Information about DMX is in the CHAUVET® DMX Primer, which is available from the Chauvet website [http://www.chauvetlighting.com/downloads/DMX\\_Primer\\_rev05\\_WO.pdf](http://www.chauvetlighting.com/downloads/DMX_Primer_rev05_WO.pdf).

**Configuration (DMX)** Set the product in DMX mode to control with a DMX controller.

1. Connect the product to a suitable power outlet.
2. Connect a DMX cable from the DMX output of the DMX controller to the DMX input socket on the product.

**DMX Starting Address** When selecting a starting DMX address, always consider the number of DMX channels the product uses. If you choose a starting address that is too high, you could restrict the access to some of the product's channels.

The LED Shadow™ uses 3 DMX channels, which defines the highest configurable address to **510**. If you are not familiar with the DMX protocol, download the DMX Primer from [www.chauvetlighting.com](http://www.chauvetlighting.com).

To select the starting address, do the following:

1. Press **<MENU>** repeatedly until **Addr** shows on the display.
2. Press **<ENTER>** and **d001–510** will show on the display.
3. Use **<UP>** or **<DOWN>** to select the starting address.
4. Press **<ENTER>**.

## DMX Channel Assignments and Values

3-CH	Channel	Function	Value	Percent/Setting
1	Mode		000	No function
			001 039	Dimmer mode
			040 079	Automatic mode 1
			080 119	Automatic mode 2
			120 159	Automatic mode 3
			160 199	Automatic mode 4
			200 239	Automatic mode 5
			240 255	Sound-active
2	Strobe Mode Speed (When Ch. 1 is 001 039)		000 009	No strobe
			010 255	Strobe speed (0–100%)
	Auto Mode Speed (When Ch. 1 is 040 239)		000 255	Automatic mode speed (slow to fast)
3	No Function (When Ch. 1 is 240 255)		000 255	No function
		Intensity		000 255

---

## Configuration (Standalone)

Set the product in one of the standalone modes to control without a DMX controller.  
Connect the product to a suitable power outlet.



**Never connect a product that is operating in any standalone mode to a DMX string connected to a DMX controller. Products in standalone mode may transmit DMX signals that could interfere with the DMX signals from the controller.**

### Auto Programs

To run an auto program, do the following:

1. Press **<MENU>** repeatedly until **Aut** shows on the display.
2. Press **<ENTER>** and **Aut0–5** will show on the display.
3. Use **<UP>** or **<DOWN>** to select the desired program.
4. Press **<ENTER>** and **S. 01–99** will show on the display.
5. Use **<UP>** or **<DOWN>** to increase or decrease the program speed.
6. Press **<ENTER>**.

### Sound-Active

To run the LED Shadow™ in sound-active mode, follow the instructions below:

1. Press **<MENU>** repeatedly until **Sou** shows on the display.
2. Press **<ENTER>**. **Soud** will show on the display.
3. Turn the sensitivity knob until the product responds to the beat of the music.



**In Sound-Active mode, the product will only respond to low frequencies of music (bass and drums).**

### Manual Mode

To run the LED Shadow™ in manual mode, follow the instructions below:

1. Press **<MENU>** repeatedly until **CoL** shows on the display.
2. Press **<ENTER>** and **CoLo** will show on the display.
3. Press **<ENTER>** again and **L.000–255** will show on the display.
4. Use **<UP>** or **<DOWN>** to increase or decrease the dimmer value.
5. Press **<ENTER>** and **S. 0–8** will show on the display.
6. Use **<UP>** or **<DOWN>** to increase or decrease the strobe rate.
7. Press **<ENTER>**.

### Display Timeout

To turn the display timeout on or off, do the following:

1. Press **<MENU>** until **SYS** shows on the display.
2. Press **<ENTER>** and **LEdS**, **tEst**, or **rEst** will show on the display.
3. Use **<UP>** or **<DOWN>** to select **LEdS**.
4. Press **<ENTER>** and **on** or **oFF** will show on the display.
5. Use **<UP>** or **<DOWN>** to select whether the display timeout should be **on** or **oFF**.
6. Press **<ENTER>**.

### Test Mode

To run a test of the LEDs, follow the instructions below:

1. Press **<MENU>** until **SYS** shows on the display.
2. Press **<ENTER>** and **LEdS**, **tEst**, or **rEst** will show on the display.
3. Use **<UP>** or **<DOWN>** to select **tEst**.
4. Press **<ENTER>**.

### Reset

To reset the software of the LED Shadow™, do the following:

1. Press **<MENU>** until **SYS** shows on the display.
2. Press **<ENTER>** and **LEdS**, **tEst**, or **rEst** will show on the display.
3. Use **<UP>** or **<DOWN>** to select **rEst**.
4. Press **<ENTER>**.

## IRC-6 Infrared Remote Control

### IRC-6 Operation



The LED Shadow™ is compatible with the IRC-6 infrared remote control from Chauvet. Make sure to point the IRC-6 directly at the receiver on the front of the product.

#### Auto Mode

To run Auto mode:

1. Press **<AUTO>** to activate Auto program 0.
2. Press **<1>** – **<5>** to activate one of the other programs.
3. Use **<+>** or **<->** to increase or decrease the program speed.

#### Sound-Active Mode

To turn on Sound-Active mode:

Press **<SOUND>** on the IRC-6.

#### Manual Control

To manually control the intensity level:

1. Press **<MANUAL>** or **<UV>** on the IRC-6.
2. Press **<+>** or **<->** to increase or decrease the output level.

#### Strobe Mode

To activate Strobe mode:

1. Press **<STROBE>** on the IRC-6.
2. Press **<+>** or **<->** to increase or decrease the strobe rate.

To deactivate the strobe, switch to another mode.

#### Black Out

To black out the LEDs:

Press **<BLACK OUT>** on the IRC-6.

This will turn off all the lights until the button is pressed again.

**NOTE:** The IRC will not respond to any inputs when Black Out is activated. If the remote does not respond when a button is pressed, try pressing **<BLACK OUT>**. You may have inadvertently activated Black Out.



**All other buttons on the IRC-6 infrared remote control have no function with this product.**

## Master/Slave Mode

The Master/Slave mode allows a single LED Shadow™ product (the “master”) to control the actions of one or more LED Shadow™ products (the “slaves”) without the need of a DMX controller. The master product will be set to operate in either Automatic mode, Sound-Active mode, or with the IRC-6, while the slave products will be set to operate in Slave mode. Once set and connected, the slave products will operate in unison with the master product.

Configure the products as indicated below.

#### Slave products:

1. Press **<MODE>** until **SLA** shows on the display.
2. Press **<ENTER>** to accept. **SLAV** will show in the display.
3. Connect the DMX input of the first slave product to the DMX output of the master product.
4. Connect the DMX input of the subsequent slave products to the DMX output of the previous slave product.
5. Finish setting and connecting all the slave products.

#### Master product:

1. Set the master product to run in Auto mode, Sound-Active mode, or with the IRC-6.
2. Make the master product the first product in the DMX daisy chain.



- **Configure all the slave products before connecting the master to the daisy chain.**
- **Never connect a DMX controller to a DMX string configured for Master/Slave operation because the controller may interfere with the signals from the master.**
- **Do not connect more than 31 slaves to the master.**

---

## 5. MAINTENANCE

### **Product Maintenance**

Dust build-up reduces light output performance and can cause overheating. This can lead to reduction of the light source's life and/or mechanical wear. To maintain optimum performance and minimize wear, clean your lighting products at least twice a month. However, be aware that usage and environmental conditions could be contributing factors to increase the cleaning frequency.

To clean the product, follow the instructions below:

1. Unplug the product from power.
2. Wait until the product is at room temperature.
3. Use a vacuum (or dry compressed air) and a soft brush to remove dust collected on the external surface/vents.
4. Clean all transparent surfaces with a mild soap solution, ammonia-free glass cleaner, or isopropyl alcohol.
5. Apply the solution directly to a soft, lint free cotton cloth or a lens cleaning tissue.
6. Softly drag any dirt or grime to the outside of the transparent surface.
7. Gently polish the transparent surfaces until they are free of haze and lint.



**Always dry the transparent surfaces carefully after cleaning them.**

## 6. TECHNICAL SPECIFICATIONS

<b>Dimensions and Weight</b>	<b>Length</b>	<b>Width</b>	<b>Height</b>	<b>Weight</b>
	14 in (356 mm)	9.8 in (248 mm)	6.5 in (165 mm)	4.9 lb (2.2 kg)
<b>Note:</b> Dimensions in inches rounded to the nearest decimal digit.				
<b>Power</b>	<b>Power Supply Type</b>	<b>Range</b>	<b>Voltage Selection</b>	
	Switching (internal)	100 to 240 VAC, 50/60 Hz	Auto-ranging	
	<b>Parameter</b>	<b>120 V, 60 Hz</b>	<b>230 V, 50 Hz</b>	
	Consumption	12 W	11 W	
	Operating Current	0.1 A	0.1 A	
	Power linking current (products)	8 A (43 products)	8 A (74 products)	
	Fuse	F 1 A, 250 V	F 1 A, 250 V	
<b>Light Source</b>	<b>Power I/O</b>	<b>U.S./Worldwide</b>	<b>UK/Europe</b>	
	Power input connector	IEC	IEC	
	Power output connector	Edison	IEC	
	Power Cord plug	Edison (U.S.)	Local plug	
<b>Light Source</b>	<b>Type</b>	<b>Power</b>	<b>Lifespan</b>	
	LED	0.25 W	100,000 hours	
<b>Photometrics</b>	<b>Color</b>	<b>Quantity</b>	<b>Current</b>	
	UV	192	20 mA	
<b>Photometrics</b>	<b>Parameter</b>			
	Coverage Angle	28°		
<b>Thermal</b>	Wavelength	405 nm		
	<b>Maximum External Temp.</b>	<b>Cooling System</b>		
	104 °F (40 °C)	Convection		
<b>DMX</b>	<b>I/O Connectors</b>	<b>Channel Range</b>		
	3-pin XLR	3		
<b>Ordering</b>	<b>Product Name</b>	<b>Item Code</b>	<b>UPC Number</b>	
	LED Shadow™	10031085	781462214333	



---

## RETURNS

In case you need to get support or return a product:

- If you are located in the U.S., contact Chauvet World Headquarters.
- If you are located in the UK or Ireland, contact Chauvet Europe Ltd.
- If you are located in Mexico, contact Chauvet Mexico.
- If you are located in Benelux, contact Chauvet Europe BVBA.
- If you are located in any other country, DO NOT contact Chauvet. Instead, contact your local distributor. See [www.chauvetlighting.com](http://www.chauvetlighting.com) for distributors outside the U.S., UK, Ireland, Mexico, or Benelux.



**If you are located outside the U.S., UK, Ireland, Mexico, or Benelux, contact your distributor of record and follow their instructions on how to return Chauvet products to them. Visit our website [www.chauvetlighting.com](http://www.chauvetlighting.com) for contact details.**

Call the corresponding Chauvet Technical Support office and request a Return Merchandise Authorization (RMA) number before shipping the product. Be prepared to provide the model number, serial number, and a brief description of the cause for the return.

Send the merchandise prepaid, in its original box, and with its original packing and accessories. Chauvet will not issue call tags.

Clearly label the package with the RMA number. Chauvet will refuse any product returned without an RMA number.



**Write the RMA number on a properly affixed label. DO NOT write the RMA number directly on the box.**

Before sending the product, clearly write the following information on a piece of paper and place it inside the box:

- Your name
- Your address
- Your phone number
- RMA number
- A brief description of the problem

Be sure to pack the product properly. Any shipping damage resulting from inadequate packaging will be your responsibility. FedEx packing or double-boxing are recommended.



**Chauvet reserves the right to use its own discretion to repair or replace returned product(s).**

---

## CONTACT US

### WORLD HEADQUARTERS - Chauvet

**General Information**

Address: 5200 NW 108<sup>th</sup> Avenue  
Sunrise, FL 33351  
Voice: (954) 577-4455  
Fax: (954) 929-5560  
Toll free: (800) 762-1084

**Technical Support**

Voice: (954) 577-4455 (Press 4)  
Fax: (954) 756-8015  
Email: [tech@chauvetlighting.com](mailto:tech@chauvetlighting.com)

**World Wide Web** [www.chauvetlighting.com](http://www.chauvetlighting.com)

### UNITED KINGDOM AND IRELAND - Chauvet Europe Ltd.

**General Information**

Address: Unit 1C  
Brookhill Road Industrial Estate  
Pinxton, Nottingham, UK  
NG16 6NT  
Voice: +44 (0)1773 511115  
Fax: +44 (0)1773 511110

**Technical Support**

Email: [uktech@chauvetlighting.com](mailto:uktech@chauvetlighting.com)

**World Wide Web** [www.chauvetlighting.co.uk](http://www.chauvetlighting.co.uk)

### MEXICO - Chauvet Mexico

**General Information**

Address: Av. Santa Ana 30  
Parque Industrial Lerma  
Lerma, Mexico C.P. 52000  
Voice: +52 (728) 285-5000

**Technical Support**

Email: [servicio@chauvet.com.mx](mailto:servicio@chauvet.com.mx)

**World Wide Web** [www.chauvet.com.mx](http://www.chauvet.com.mx)

### CHAUVET EUROPE - Chauvet Europe BVBA

**General Information**

Address: Stokstraat 18  
9770 Kruishoutem  
Belgium  
Voice: +32 9 388 93 97

**Technical Support**

Email: [Eutech@chauvetlighting.eu](mailto:Eutech@chauvetlighting.eu)

**World Wide Web** [www.chauvetlighting.eu](http://www.chauvetlighting.eu)

Outside the U.S., United Kingdom, Ireland, Mexico, or Benelux contact your dealer. Follow their instructions to request support or to return a product. Visit our website for contact details.